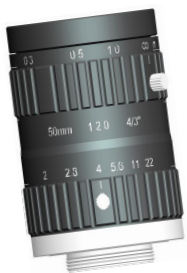
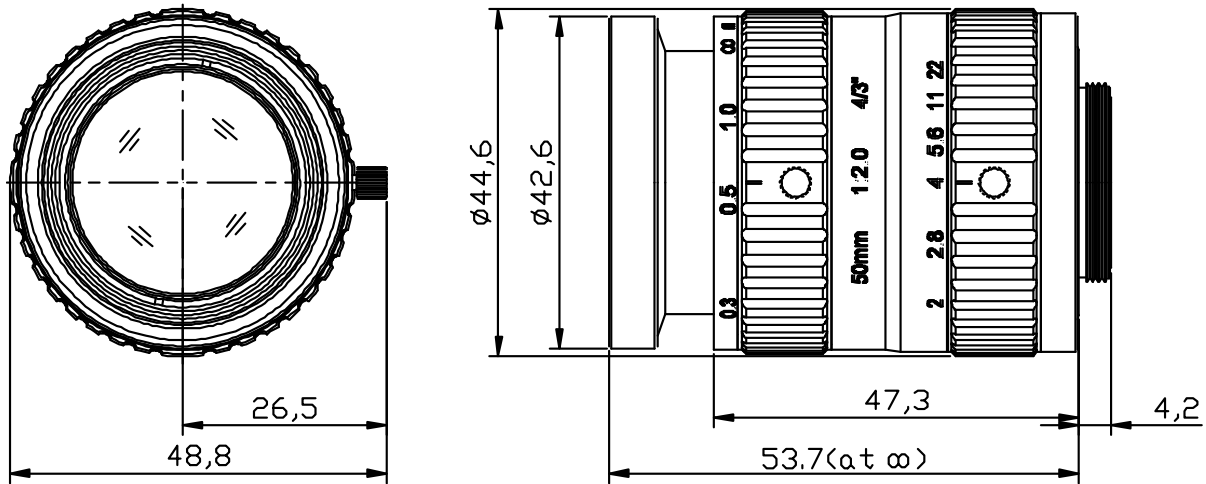


LEM5020CD-H2



The C-Mount lens LEM5020CD-H2 is suitable for common sensors up to 10 megapixel with an image format of 4/3-inch.

Technical Data

Mount	C-Mount
Sensor	4/3 inch
Focal Length	50 mm
Aperture	2.0~22
MOD	0.3 m
Back Focal	20.29 mm
Angle of View	4/3": 25.9°×20.9°×15.7° 1": 18.2°×14.6°×11°
Megapixel	10 MP
Distortion	4/3": -0.14%@y=11.5mm 1": -0.05%@y=8.0mm
Iris	Manual
focus	Manual
Filter Size	M40.5×0.5mm
Operating Temperature	-10°C~+50°C
Weight	170g

